

[www.impulse-fitness.kz](http://www.impulse-fitness.kz)



**in impulse**

Your Wellness Solution Provider



Your Wellness Solution Provider



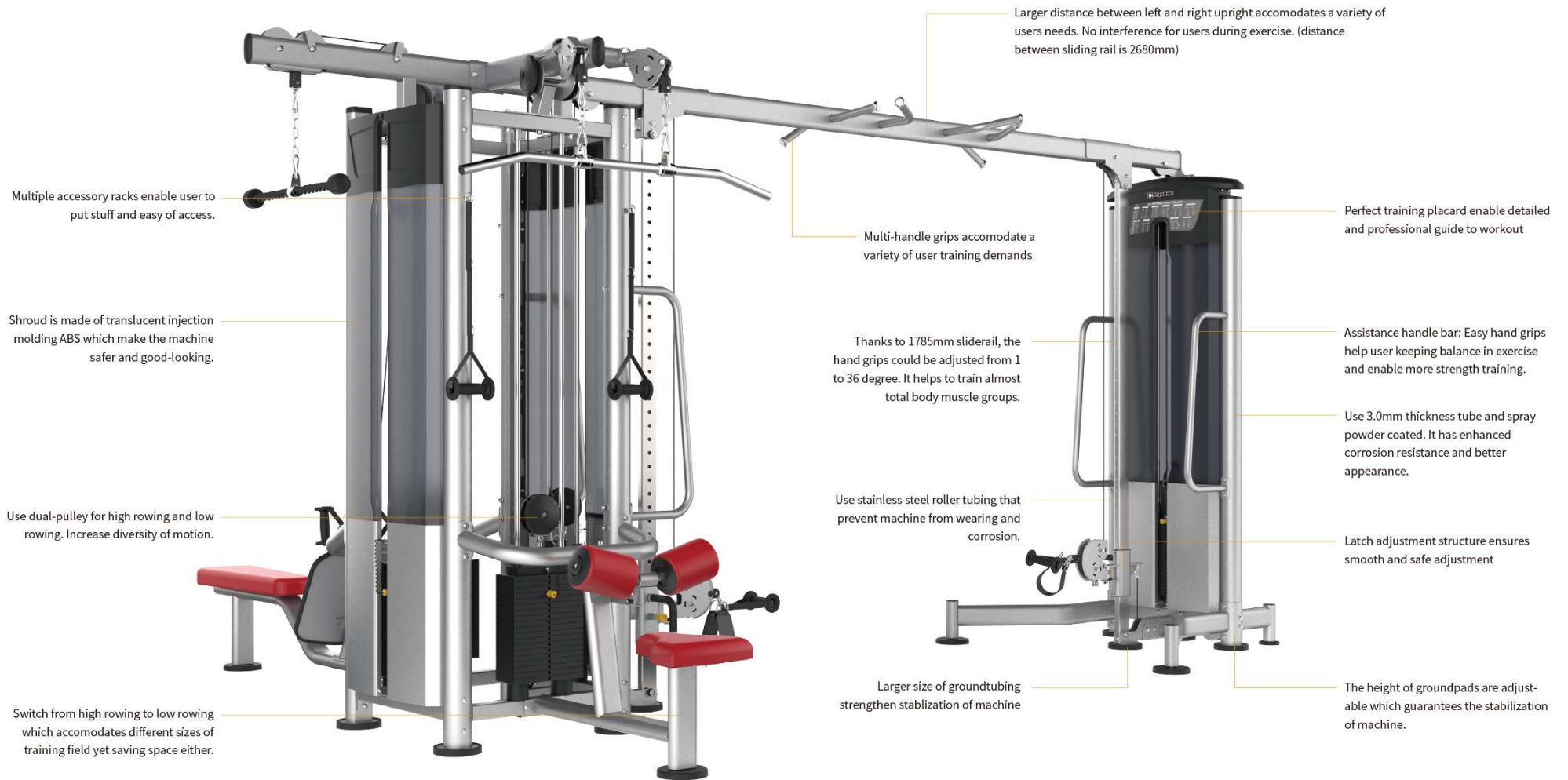
## INTRODUCTION

В начале 1990-х годов Impulse начала производство фитнес-оборудования. После почти 30 накоплений опыта. Марка Импульс была основана в 2004 году, уделяя особое внимание исследованиям, разработкам, производству и продаже фитнес-оборудования. В сентябре 2017 года. Impulse сделал IPO успешным на фондовом рынке Шэньчжэня. Он достиг прорыва на рынке капитала и принес больше финансовых поддержки R&D и производству рекомендуемых инструментов Impulse. Мы предоставляем инновационные и высококачественные продукты для помещений и наружного использования, включая кардио-оборудование, силовое оборудование, функциональные тренировки и реабилитационные тренировки. также с интеллектуальными и инновационными продуктами для домашнего использования.

Мы стремимся предоставлять желаемые продукты и услуги по искренней цене, и продукты были проданы в более чем 200 странах и регионах и создали глобальный маркетинг и послепродажные системы © Local backup on Impulse является ведущим поставщиком в отрасли здравоохранения. Новый промышленный парк Impulse в стадии строительства. Первый этап проекта имеет общие инвестиции в размере 232 миллионов долларов США и общую площадь строительства 168,995,98 квадратных метров. Ожидается, что годовая стоимость проекта может составить 620 миллионов долларов США после того, как проект достигнет полной мощности. Мы считаем, что доверие клиентов исходит из нашего стремления к совершенству продукта и изучения потребностей клиентов. Таким образом, Impulse будет продолжать следить за клиентом в первую очередь и качественным приоритетом, чтобы обслуживать наших бизнес партнеров и стать надежным экспертом по фитнесу, которому доверяют мировые клиенты.

Jungle >> >





## \* WEIGHT STACK SOLD SEPARATELY

OPTION 1	160lbs/68.3kg
OPTION 2	200lbs/85.5kg
OPTION 3	235lbs/102.8kg
OPTION 4	295lbs/129.2kg



\* COLOR OPTIONAL.  
OPTIONAL FULL OR SMALL SHROUD.



**IT9525**  
ADJUSTABLE HI/LO PULLEY

PRODUCT DIMENSION (LxWxH)	1450x1245x2350(mm) 57.1x49.0x92.5(in)
PRODUCT WEIGHT	137.5kg/303.1lbs



**IT9530**  
DUAL ADJUSTABLE PULLEY

PRODUCT DIMENSION (LxWxH)	1620x1370x2270(mm) 63.8x53.9x89.4(in)
PRODUCT WEIGHT	195.5kg/431lbs



**IT9527**  
4 STACK MULTI-STATION

PRODUCT DIMENSION (LxWxH)	3489x1968x2382(mm) 137.4x77.5x93.8(in)
PRODUCT WEIGHT	308.7kg/680.6lbs



**IT9527OPT**  
CABLE CROSSOVER-TRADITIONAL

PRODUCT DIMENSION (LxWxH)	2824x222x483(mm) 111.2x8.74x19.0(in)
PRODUCT WEIGHT	27.5kg/60.6lbs



**IT9525+IT9525+IT9527OPT**

PRODUCT DIMENSION (LxWxH)	4196 × 1436 × 2360(mm) 165.2 × 56.5 × 92.9(in)
---------------------------	---

**IT9525+IT9527+IT9527OPT**

PRODUCT DIMENSION (LxWxH)	5089 × 3489 × 2380(mm) 200.4 × 137.4 × 93.7(in)
---------------------------	--



**IT9527+IT9527+IT9527OPT**

PRODUCT DIMENSION (LxWxH)	5982 × 3489 × 2380(mm) 235.5 × 137.4 × 93.7(in)
---------------------------	--





### IF9325 ADJUSTABLE HI / LO PULLEY

PRODUCT DIMENSION (L×W×H)	1449×1258×2338 (mm) 57.0×49.5×92.0 (in)
PRODUCT WEIGHT	96 kg / 212 lbs
40'	108 Sets



### CABLE CROSSOVER IF9325+IF9325+IF9327OPT

PRODUCT DIMENSION (L×W×H)	4138x1448x2355(mm) 162.9x57.0x92.7(in)
------------------------------	---

### IF9327 4 STACK MULTI-STATION

PRODUCT DIMENSION (L×W×H)	3450×2445×2338 (mm) 135.8×96.3×92.0 (in)
PRODUCT WEIGHT	258.6 kg / 570 lbs
40'	48 Sets



### 5 STACK MULTI-STATION IF9325+IF9327+IF9327OPT

PRODUCT DIMENSION (L×W×H)	5220x3428x2355(mm) 205.5x135.0x92.7(in)
------------------------------	--

• OPTIONAL FULL SHROUD VERSION.



### IF9327OPT CABLE CROSSOVER-TRADITIONAL

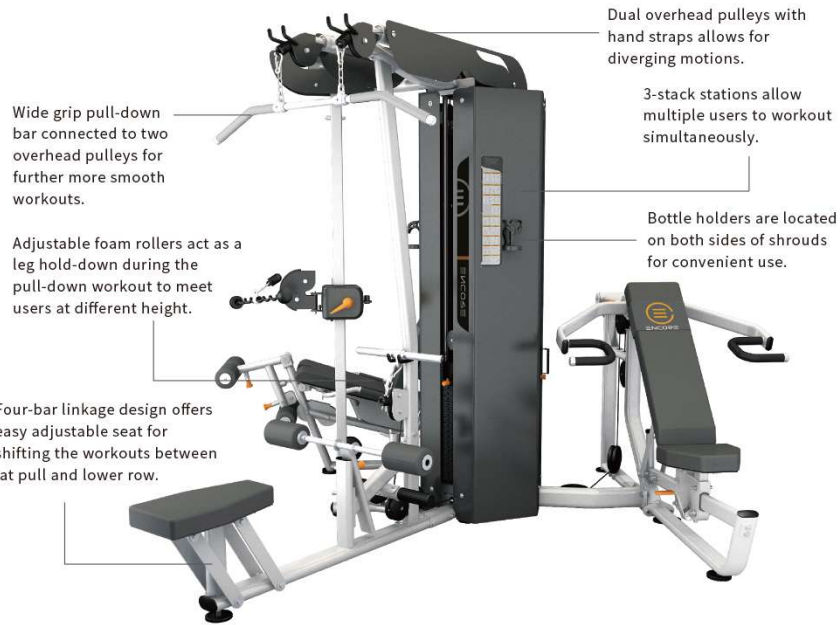
PRODUCT DIMENSION (L×W×H)	2505×441×198 (mm) 98.6×17.4×7.8 (in)
PRODUCT WEIGHT	21.5 kg / 47 lbs
40'	526 Sets



### 8 STACK MULTI-STATION IF9327+IF9327+IF9327OPT

PRODUCT DIMENSION (L×W×H)	6262x3428x2355(mm) 246.5x135.0x92.7(in)
------------------------------	--

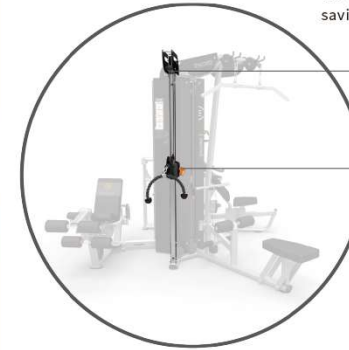
## ES3000 3 STACK MULTI-STATION



Product Dimension (L×W×H)	2694x2440x2148(mm) 106.1x96.1x84.6(in)
Product Weight	299.9kg/661.2lbs
Stacks Weight	91kgx3 (200lbsx3)
OPT Weight	26.5kg



## ES3000 OPT HI-LO PULLEY ATTACHMENT



Quick installation, shares the stack with lat pull for saving space and cost.

31 vertical pulley positions for a large variety of different exercises.

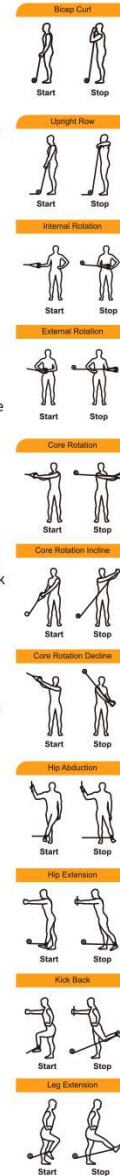


Excellent structural design, easy & quick adjustment offers dynamic workout like chest press, incline press and shoulder press which meet various muscle groups training.



Adjustable handle is conveniently located for easy access.

Excellent structural design, easy & quick adjustment seat is for prone leg curls or leg extension exercises which satisfy various muscle groups.



## ES9030 DUAL ADJUSTABLE PULLEY ES7011 BENCH



Chin-up/pull-up bar with ergonomic bends for regular grip, wide grip and reverse grip exercises.

31 vertical pulley positions for a large variety of different exercises.

With accessories as lat strap, long bar retractable strap, leg ext/curl strap and tricep rope, DAP offers users dynamic and various workouts.

Multi-position bench offers 5 upright/incline positions for back pad and 3 position for seat, which satisfies various workout experience.

The over-sized feet would stabilize the users during certain workouts like tricep extension.

Conveniently located iPad holder allows user to watch online training videos during the workouts, over-sized bottle holder is within reach.



Fold away bench for easy storage and space saving



ES9030(Long Shroud)

Product Dimension (L×W×H)	1734x1123x2150(mm) 68.3x44.2x84.7(in)
Product Weight	149.5kg/328.9lbs
Stacks Weight	77kgx2 (170lbsx2)



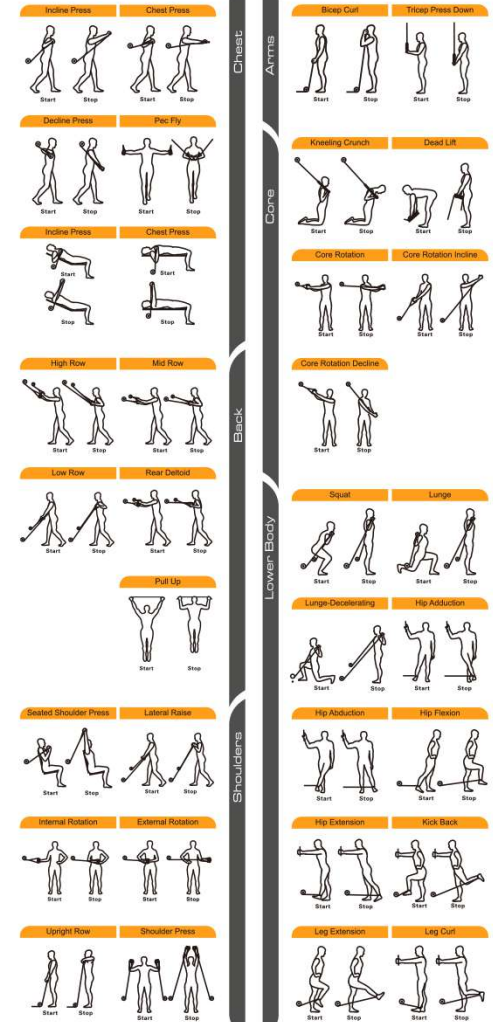
ES9030(Short Shroud)

Product Dimension (L×W×H)	1734x1123x2150(mm) 68.3x44.2x84.7(in)
Product Weight	121.5kg/267.3lbs
Stacks Weight	77kgx2 (170lbsx2)



ES7011

Product Dimension (L×W×H)	1440x525x490(mm) 56.7x20.7x19.3(in)
Product Weight	34.3kg/75.6lbs





## ES7030 DUAL ADJUSTABLE PULLEY



Chin-up/pull-up bar with ergonomic bends for regular grip, wide grip and reverse grip exercises.

31 vertical pulley positions for a large variety of different exercises.

With accessories as lat strap, long bar retractable strap, leg ext/curl strap and triceps rope, DAP offers users dynamic and various workouts.  
\*Accessories sold separately.



TENSION ROPE

Product Dimension	650(mm)/25.6(in)
Pull	≥450kg/992.1lbs



HANDLE

Product Dimension	1126x35(mm) 44.3x1.4(in)
-------------------	-----------------------------



ES7030

Product Dimension (L×W×H)	1641x916x2142(mm) 64.6x36.1x84.3(in)
Stacks Weight	77kgx2 (170lbsx2)

Incline Press



Tricep Press Down



Rear Deltoid



Upright Row



Chest Press



Kneeling Crunch



Seated Shoulder Press



Shoulder Press



Decline Press



Dead Lift



Lateral Raise



Leg Extension



Pec Fly



Hip Abduction



Internal Rotation



Leg Curl



Squat



Hip Flexion



External Rotation



Bent-over Row



Lunge



Hip Extension



Core Rotation



Single-arm lunge Row



Lunge-Decelerating



Kick Back



Core Rotation Incline



Seated Single-arm Curl



Hip Adduction



High Row



Core Rotation Decline



Upright Front Raise



Bicep Curl



Low Row



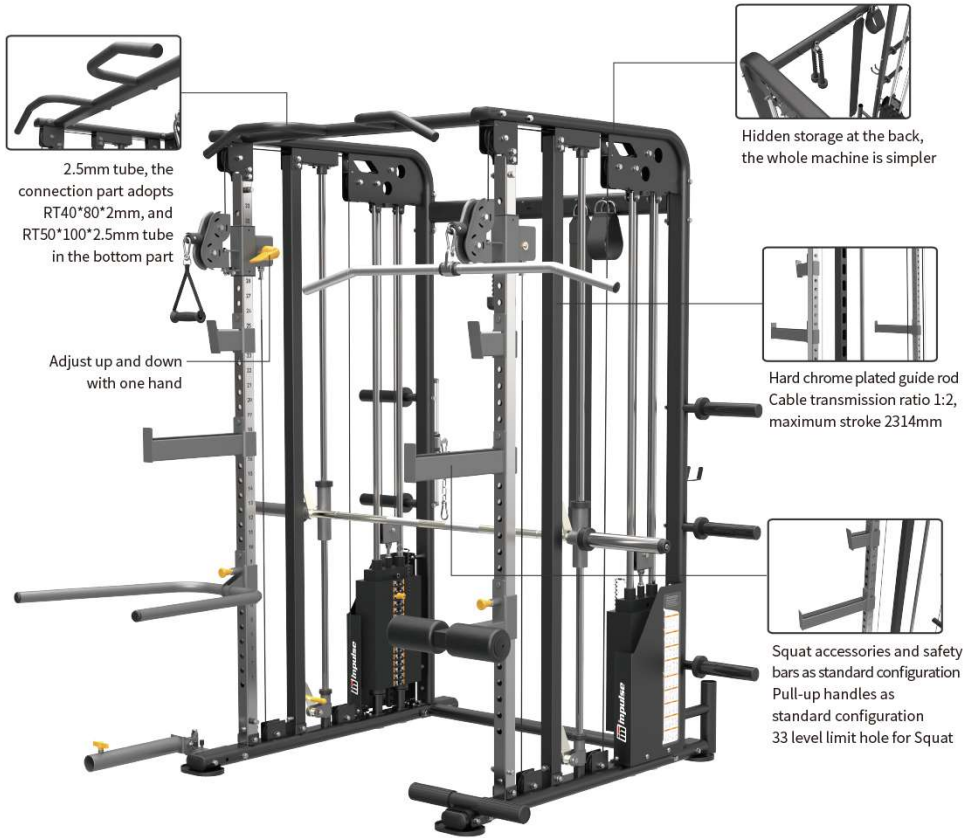
Pull Up



Hanging Leg Raise



## ES2100 Multi-Functional Trainer with Smith



Product Dimension (L×W×H)	1681x1720x2090(mm) 66.18x67.72x82.28(in)
Product Weight	186.1kg/410.3lbs
Opt Weight Stack	170lbs/200lbs x 2 sets

## ES2000 Multi-Functional Trainer with Smith (Plate Loaded)



Product Dimension (L×W×H)	2007x1724x2126(mm) 79.01x67.87x83.70(in)
Product Weight	184kg/405.7lbs

### ES2000/2100 Accessory

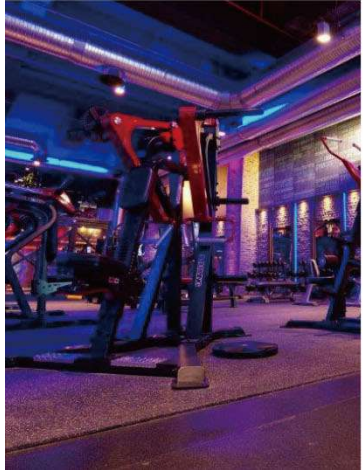
Standard	POM Handle	Short Pole	Support Strap	Dip Arm
	Barbell Bar Storage	Ankle Strap	Double-ended Rope	Rowing Foot Pedal
Optional	ES2000OPT1 Pivot	ES2000OPT2 Foam Roller + Hi Pull-down Aluminum Rod		PTSHILO15000 Chop Bar

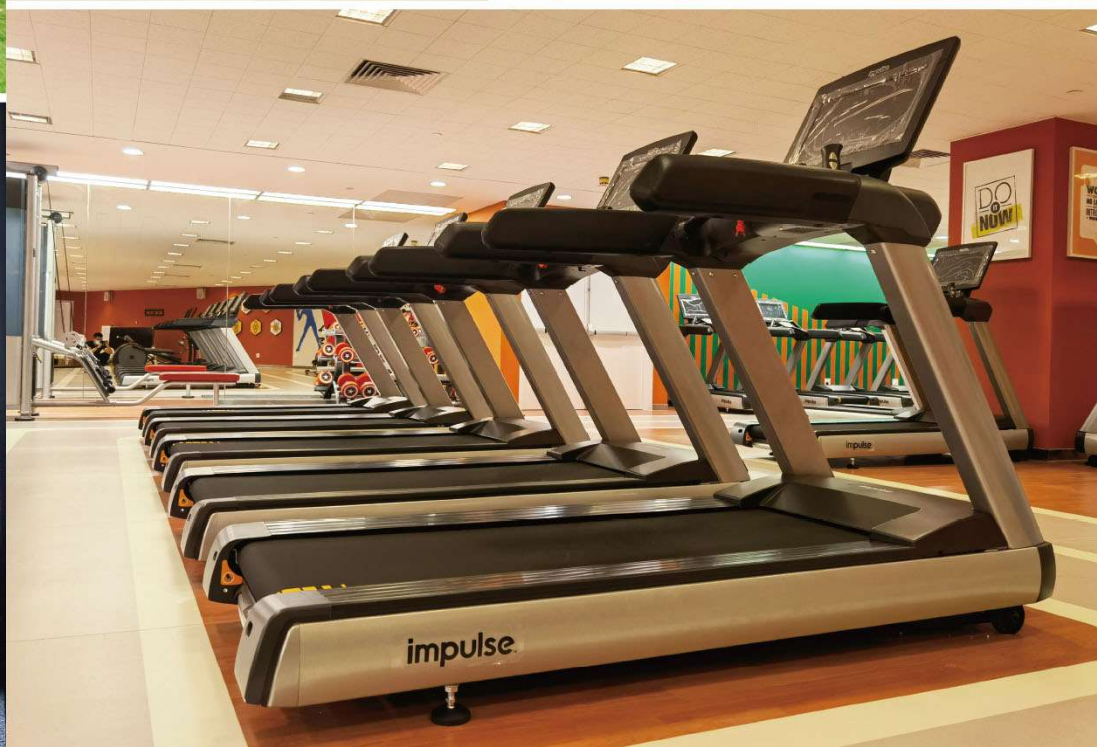
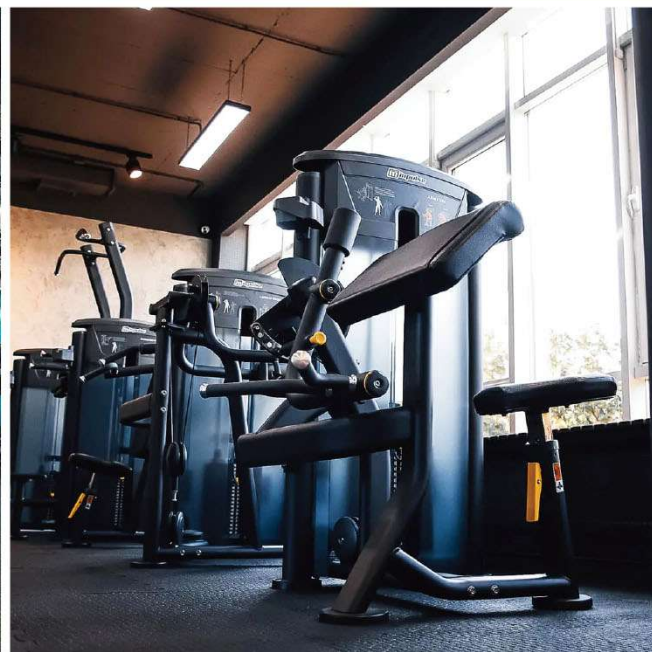


CASES



CASES



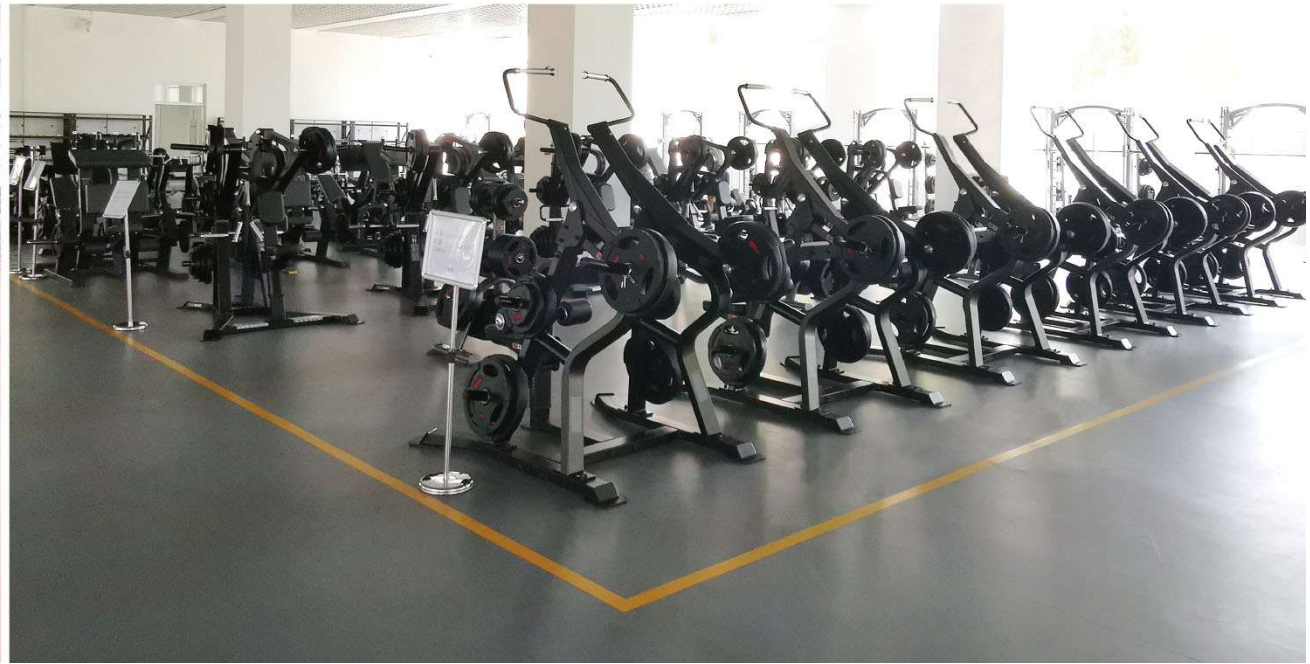




CASES



CASES

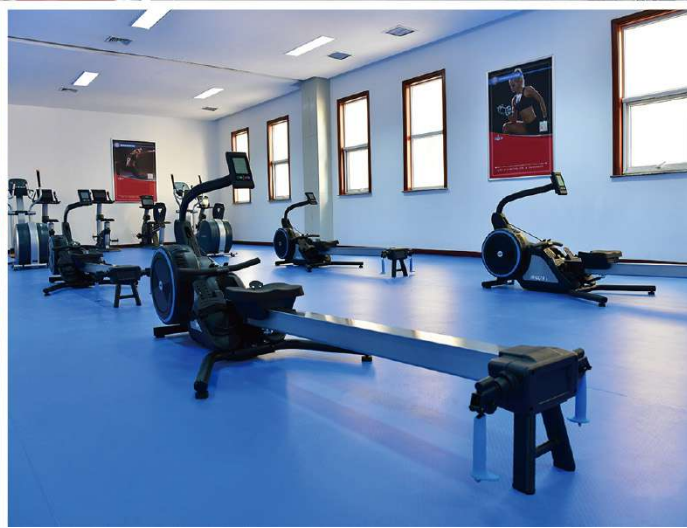
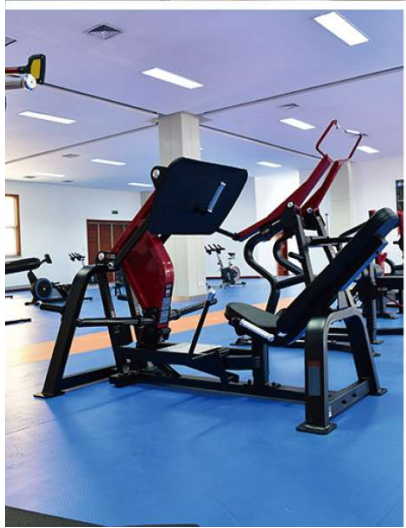




CASES



CASES





**Impulse Cardiovascular Equipment Limited Warranty**

Description	Warranty
Frame	7 Years
Treadmill AC Motor	3 Years
Treadmill DC Motor, Structural Moving Parts	2 Years
Display PCB, Motor Controller,	
Generator, EMS, ECB Brake	2 Years
Key Pad, Durable Wear Parts	1 Year

**Impulse Strength Training Equipment Limited Warranty**

Description	Warranty
Structural Steel Frame	Lifetime
Rotary Bearings, Weight Stacks, Pulleys,	
Guide Rods, Structural Moving Parts	2 Years
Cable, Linear Bearings, Springs	1 Year
Upholstery, Handgrips, All Other	
Items Not Listed	6 Months

\* Conditions and Restrictions Applied.



**m impulse**

**THE WAY TO WELLNESS**

All text, picture and data in this catalogue are for reference only. If there is inconsistency between the information and the actual product, the actual product shall govern. Impulse reserves all rights to explain any error or difference in this catalogue.

The trademark property in copyright including "Siegling", "Wahoo" and "Polar" have been maintained in Impulse product catalogues belong to their respective trademark registers.

Statement: Impulse branding is upgrading and during that time, **m**, **Wahoo** and **impulse** are both trademarks of Impulse products. Thank you for your support as always.